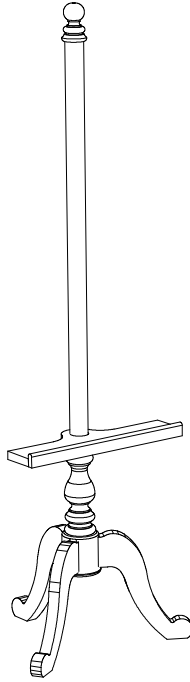


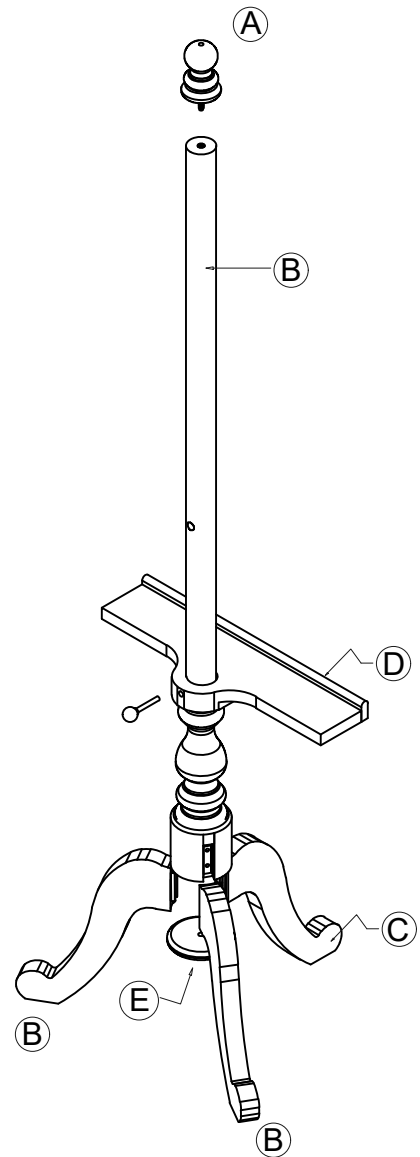
BUTLER

SPECIALTY COMPANY
8200 SOUTH CHICAGO AVE. CHICAGO, IL 60617

Assembly Instructions
3657024
Plantation Cherry Easel



| ITEM | DESCRIPTION | QUANTITY |
|------|-------------|----------|
| A | Top | 1 |
| B | Bottom | 1 |
| C | Legs | 3 |
| D | Shelf | 1 |
| E | Metal plate | 1 |



hardware



H1 x 1
bolts M6 x 35mm



H2 x 1
flat washers



H3 x 1
spring washer



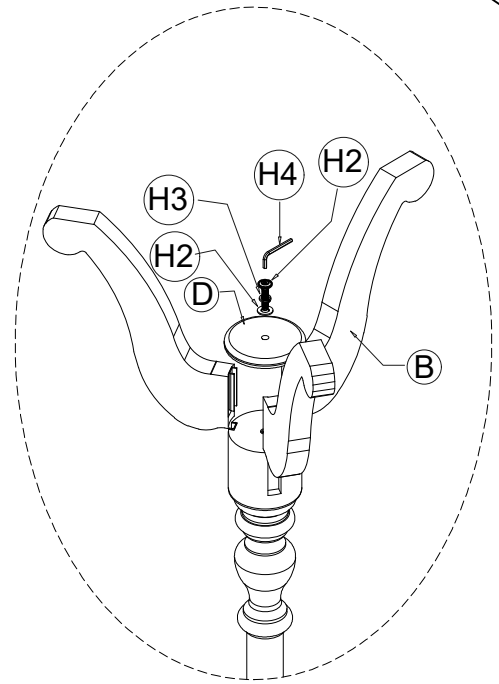
H4 x 1
hex key #4

step 1

Put the Top (A) upside down onto a smooth surface such as carpeted floor (the shipping box works well).

step 2

Insert the male dovetail of the Legs(C) into the female insert nut at the bottom (B) of the Top then insert the Bolts(H1) with Spring Washer(H3) and Flat Washer(H2) into the female insert nut and tighten with the Hex Key (H4)



step 3

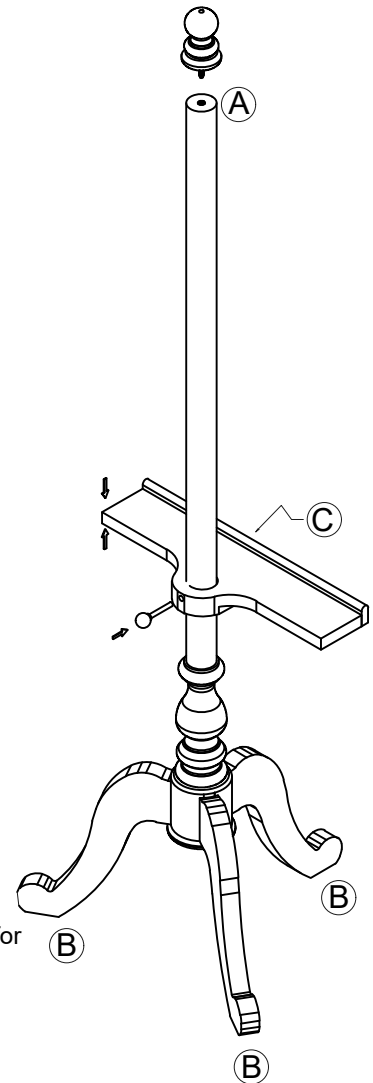
Align the hole of the Wooden Plate(D) with the female insert nut at the bottom of the Top then insert the Bolt(H1) with Spring Washer(H3) and Flat Washer(H2) into the female insert nut and, tighten with the Hex Key (H4).

step 4

Remove the Finial by rotating counterclockwise the insert the post through the Shel(C) and pin with the Bolt (H1) to the desired height.

step 5

Return back the finial by inserting the bolt and turn clockwise until tight.



(*) Caution : DO NOT OVERTIGHTEN.

In any correspondence regarding this product, please include the complete Butler identification number located on the underside of the product.

We hope this product will be a useful and decorative addition to your home for years to come.

Copyright © Butler Specialty Company, 05 / 19